



士林電機

Shihlin Electric

無熔絲斷路器

Molded- Case Circuit Breaker

外部操作把手使用說明書

Instruction for External Handles

規格一覽表

Specifications

型名 TYPE	適用機種 Breaker Type applicable		變化尺寸 Dimensions (mm)			
	MCCB	Poles	fig1	fig3		
			A	B	C	D
EH1600N	NF800-HS	3P	223	70	375	M8 screw or $\phi 10$
	NF1000-HS					
	NF1200-HS					
	NF1600-HS					
	NF1000-E					
	NF1200-E					
NF1600-E						

外型尺寸圖

Out line and Dimensions

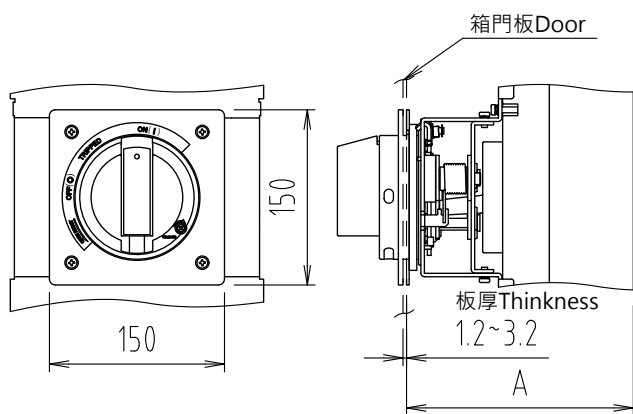


圖 1 (fig.1)

面板(門板)鑽孔圖

Boring dimension of the Mtg. panel (door)

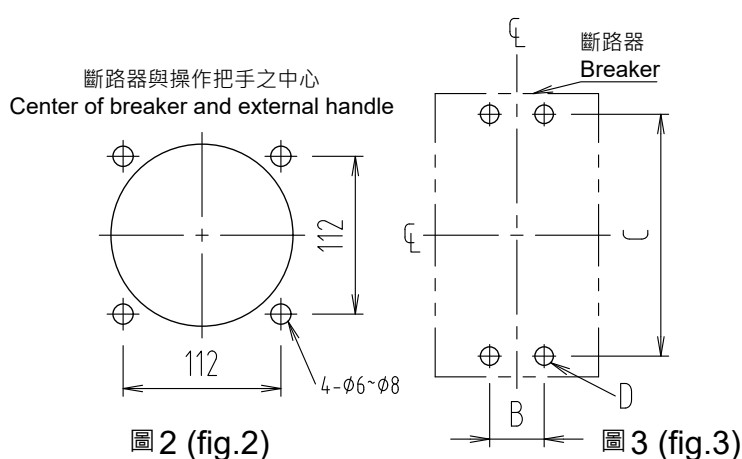


圖 2 (fig.2)

圖 3 (fig.3)

操作把手安裝孔

Hole for the assembly of breaker

操作把手安裝螺絲

Screw for the assembly of External Handle

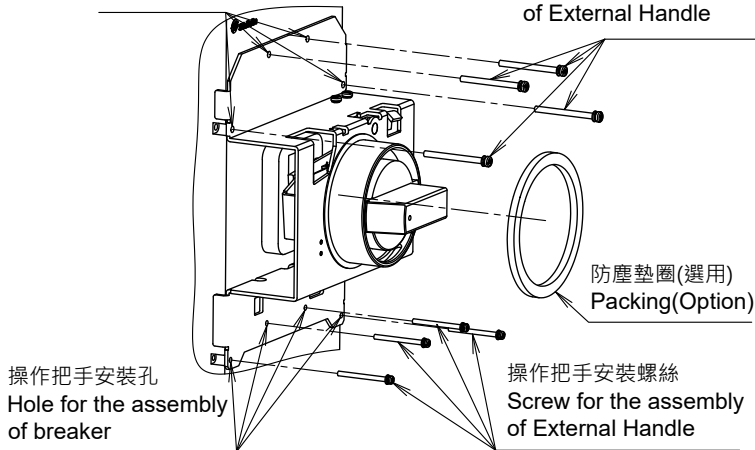


圖 4 (fig.4)

安裝方法

1. 本體安裝

- (1) 將斷路器本體8支上蓋螺絲移除，移除螺絲同操作把手安裝位置。
- (2) 將操作把手安裝於斷路器，使用提供的安裝螺絲包8支。

How to assemble the breaker

1. Assembly of main body

- (1) Remove the breaker's cover screws (8pcs), is the same place as the operating handle fixed.
- (2) Install the operating handle on the breaker, using the provided screw (8pcs).

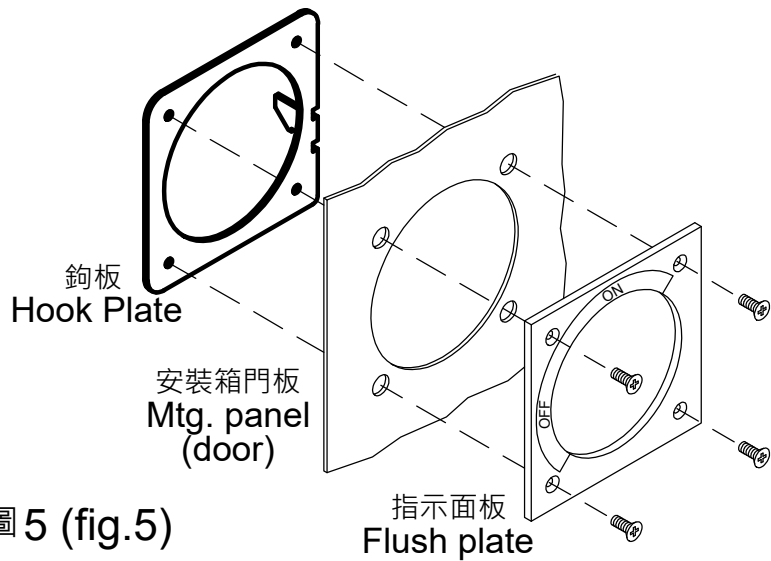
2. 指示面板安裝

將指示面板與鉤板以4支埋頭螺絲固定於門板上。 [圖5]

*指示面板安裝位置調整

指示面板組立後，將門板關閉，以目視調整指示面板與操作把手本體之間隙，使四周間隙大小一致後，再將埋頭螺絲鎖緊。 [圖6]

延伸手把在門板關閉後，才可以裝於操作把手本體。 [圖6]



2. Assemble of the flush plate and the hook plate

Provide bores on the door to the boring dimensions to assemble the flush plate and the hook plate using flat head screws contained in the package of the external handle. [fig.5]

* Adjustment in position where the flush plate is assembled.

Fasten the flush plate temporarily. Close the door. Adjust the gap between the flush plate and external handle becomes uniform and parallel position to the breaker, Tighten the flat head screws securely. [fig.6]

The extension handle only can be installed on the external handle after the door is closed. [fig.6]

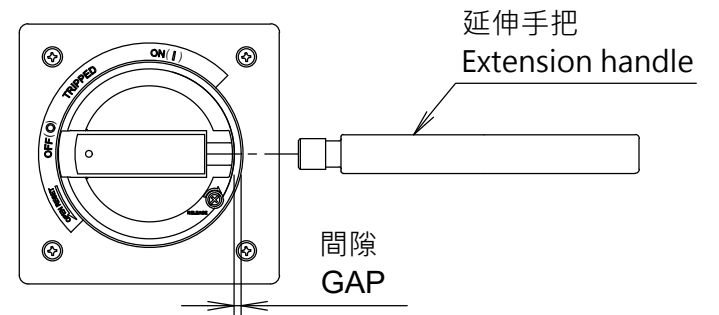


圖6 (fig.6)

3. 斷路器鎖定

操作把手可鎖定於"ON"或"OFF"之位置。 [圖7]

當斷路器跳脫且操作把手鎖定於ON之位置時把手會略為指向"TRIPPED"。

3. How to pad-lock the breaker

It is able to be locked in ON or OFF position. [fig.7]

Even if the breaker trips when ON locked, in the case of one padlock the handle indicates "TRIPPED"

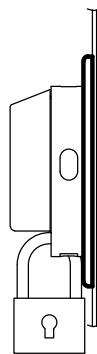


圖7 (fig.7)

4. 安全裝置之解除

(1) 當把手於"OFF"或"TRIP"位置時，將把手轉至"OPEN"位置，即可打開門板。 [圖8]

(2) 當把手於"ON"之位置時，將釋放鈕依箭頭方向旋轉，即可打開門板。 [圖9]

(3) 當門板被打開而斷路器欲投入時，可將把手往"ON"之方向旋轉，並同時將扣板往下推，即可完成投入。 [圖10]

4. How to unlock the breaker

(1) To open the door when the breaker is be positioned at OFF or TRIP by turning the handle to the "OPEN" position. [fig.8]

(2) It is possible to open the door in ON position to rotate the release screw clockwise. [fig.9]

(3) To energize the breaker with the door open. Turn the handle to "ON" position with interlock lever pushed in the direction of arrow mark. [fig.10]

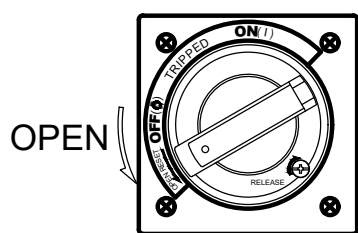


圖8 (fig.8)

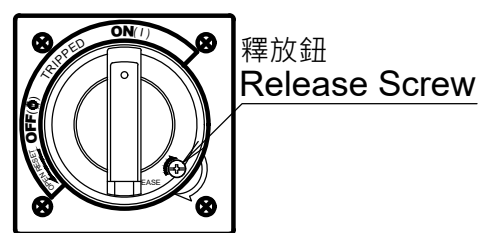


圖9 (fig.9)

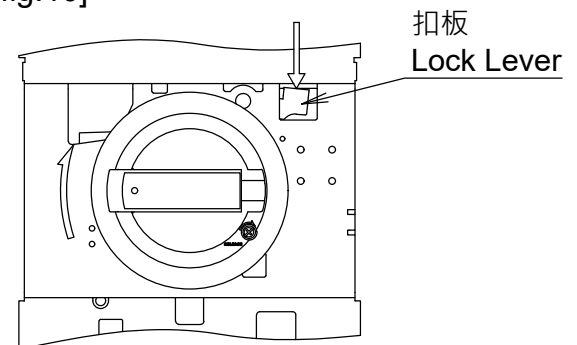


圖10 (fig.10)

5. 防塵墊圈(選用)

防塵墊圈，選購配件(型號PF400)。

將防塵墊圈套入操作把手本體，門板閉合後須與防塵墊圈完全密閉。

5. Dust-proof packing(option)

Dust-proof packings are separately available. (Product model:PF400)

Put packing onto handle.

A perfect sealing is attained when the door is closed.

操作把手 External handle	保護等級 Dustproofing(IEC60529)
本體 Standard(without packing)	IP30
加裝防塵墊 With packing(option)	IP52